

THIS DRAWING IS UNPUBLISHED. RELEASED FOR PUBLICATION
 © COPYRIGHT - By - TE CONNECTIVITY ALL RIGHTS RESERVED.

LOC	DIST	REVISIONS 変更					
HB	-	P	LTR	DESCRIPTION	DATE	DWN	APVD
		F		REMOVED THE RIB ON THE BASE TO CASE ECO-15-011310	19Nov2015	YS.H	CHL

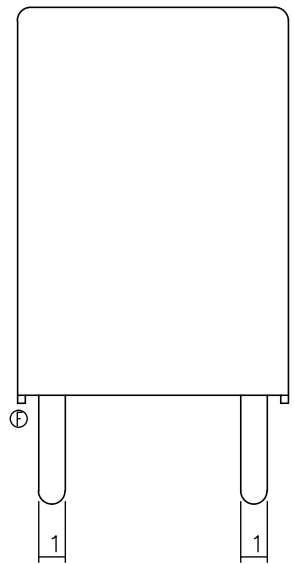
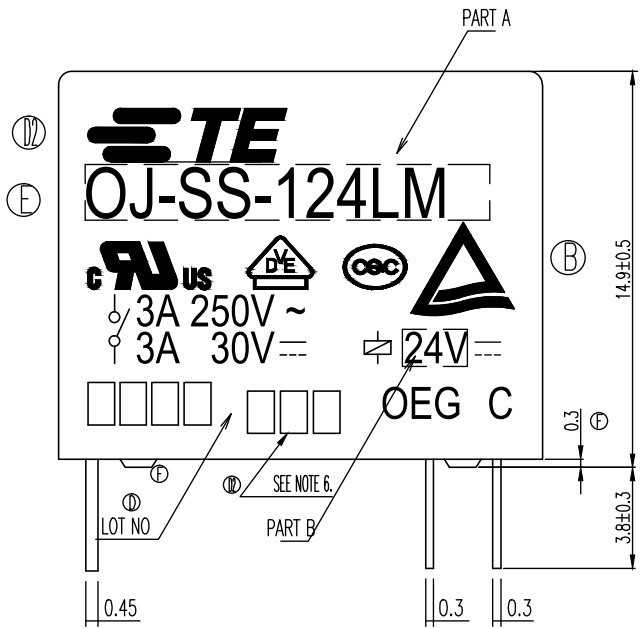
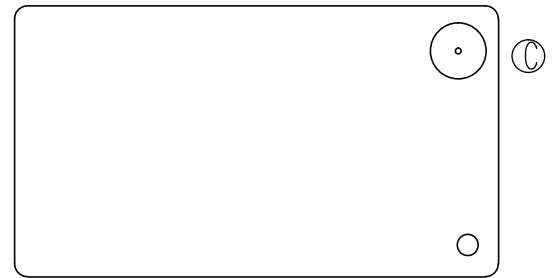
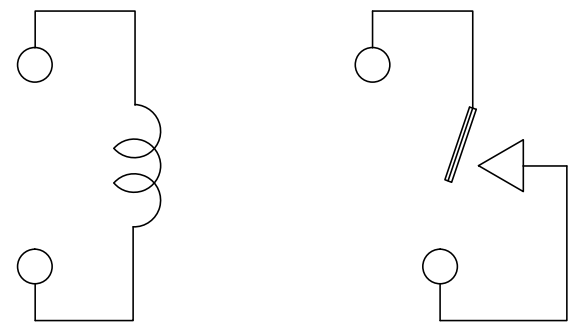


Diagram dimension	Tolerance
0.99mm max.	±0.1mm
1 - 2.99mm	±0.2mm
3mm min.	±0.3mm



CONNECTION FIGURE

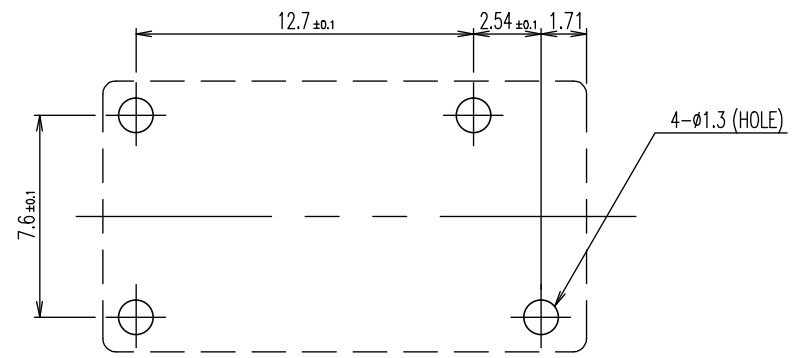
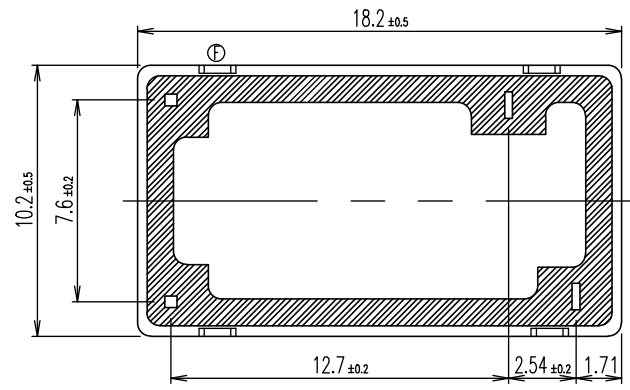


FIGURE FOR PRINTED CIRCUIT BOARD PROCESSING
(BOTTOM VIEW)



THIS DRAWING IS A CONTROLLED DOCUMENT.		DWN	H.Sasaki	-	TE TE Connectivity		
DIMENSIONS: 単位: 耗 mm		CHK	Y.Oikawa	-			
TOLERANCES UNLESS OTHERWISE SPECIFIED: 一般公差		APVD	A.Nagai	-	NAME 名称 OJ-SS-LM SPEC,000 CUSTOMER DRAWING		
0 PLC ± - 1 PLC ± - 2 PLC ± - 3 PLC ± - 4 PLC ± - ANGLES ± -		PRODUCT SPEC 製品規格		-	SIZE		
MATERIAL 材料		APPLICATION SPEC 取付適用規格		-	CAGE CODE	DRAWING NO 番号	RESTRICTED TO
		WEIGHT		-	A3	00779	1461117
		CUSTOMER DRAWING		SCALE 尺度	5:1	SHEET 1 OF 2	REV F

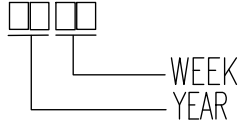
THIS DRAWING IS UNPUBLISHED. RELEASED FOR PUBLICATION - . - .
 © COPYRIGHT - By - TE CONNECTIVITY ALL RIGHTS RESERVED.

LOC	DIST	REVISIONS 変更					
HB	-	P	LTR	DESCRIPTION	DATE	DWN	APVD
		-		SEE SHEET 1	-	-	-

3-1419129-1	OJ-SS-124LM, 000	107-79010	24V	OJ-SS-124LM	f
4-1419144-2	OJ-SS-118LM, 000	107-79010	18V	OJ-SS-118LM	e
2-1419129-1	OJ-SS-112LM, 000	107-79010	12V	OJ-SS-112LM	d
1461117-3	OJ-SS-109LM, 000	107-79010	9V	OJ-SS-109LM	c
1440007-1	OJ-SS-106LM, 000	107-79010	6V	OJ-SS-106LM	b
1440007	OJ-SS-105LM, 000	107-79010	5V	OJ-SS-105LM	a
PART NO	DESCRIPTION	PACKAGE SPEC.	PART B	PART A	TYPE

RELAY TYPE

ⓓⓔ NOTE:
 1. LOT NO SYSTEM AS FOLLOWING:



ⓓ 2. TERMINAL DIMENSION IS BEFORE SOLDER DIP;
 ⓓ 3. FOR THE TIN-PLATING OF THE PINS:
 +0.1mm FOR WIDTH, THICKNESS AND DIAMETER.
 +0.5mm FOR LENGTH.

ⓔⓓ 4. USED WELDED CONTACT & LASER MARKING.

ⓓ 5. ADD LOT NO. SYSTEM AS FOLLOWING;
 I, DIGITS FOR DAY OF THE WEEK
 I II III
 1...MONDAY IN THIS WEEK;
 2...TUESDAY IN THIS WEEK;

 7...SUNDAY IN THIS WEEK
 II, DIGITS FOR SHIFT OF THE DAY
 1...DAY SHIFT IN THIS DAY;
 2...NIGHT SHIFT IN THIS DAY;
 III, ONE CHARACTER DISTINGUISH THE LINE IDENTITY, SUCH AS: A,B,....Z

		EPOXY RESIN	SEAL (BASE & BOBBIN)	15
		JUEW	MAGNETIC WIRE	14
94V-0		P.B.T	CASE	13
94V-0		P.B.T	BASE	12
94V-0		P.B.T	BOBBIN	11
	SOLDER DIP	C.P WIRE	COIL TERMINAL	10
94V-0		P.P.S	CARD	9
		Ag	MOVABLE CONTACT	8
		Ag	NO.CONTACT	7
		STEEL	HINGE SPRING	6
	SOLDER DIP	Cu ALLOY	NO.TERMINAL	5
	SOLDER DIP	Cu ALLOY	MOVABLE SPRING	4
	NIP	STEEL	CORE	3
	NIP	STEEL	ARMATURE	2
	NIP	STEEL	YOKE	1
INCOMBUSTIBILITY	TREATMENT	MATERIAL	DESCRIPTION	ITEM

THIS DRAWING IS A CONTROLLED DOCUMENT.		DWN	H.Sasaki	-
		CHK	Y.Oikawa	-
		APVD	A.Nagai	-
DIMENSIONS: 單位: 耗 mm		PRODUCT SPEC 製品規格		
TOLERANCES UNLESS OTHERWISE SPECIFIED: 一般公差		APPLICATION SPEC 取付適用規格		
0 PLC ± - 1 PLC ± - 2 PLC ± - 3 PLC ± - 4 PLC ± - ANGLES ± -		WEIGHT -		
MATERIAL 材料		FINISH 仕上		
		CUSTOMER DRAWING		
		SIZE	CAGE CODE	DRAWING NO 番号
		A3	00779	1461117
		RESTRICTED TO		-
		SCALE 尺度	SHEET	REV
		5:1	2 OF 2	F